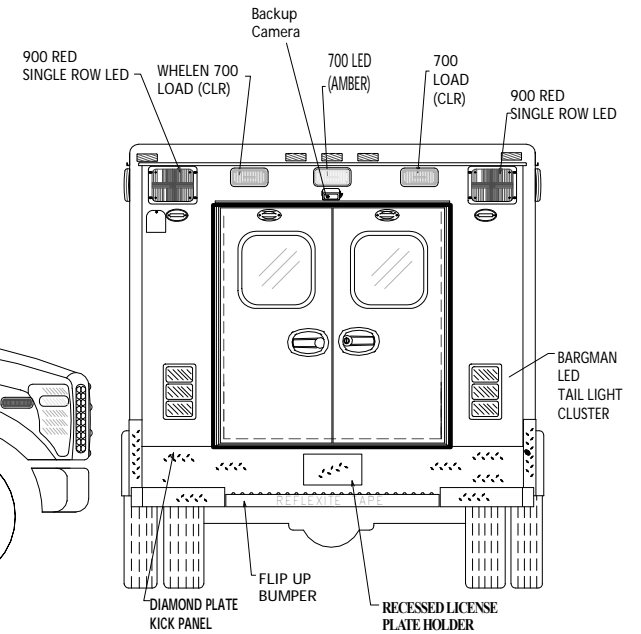
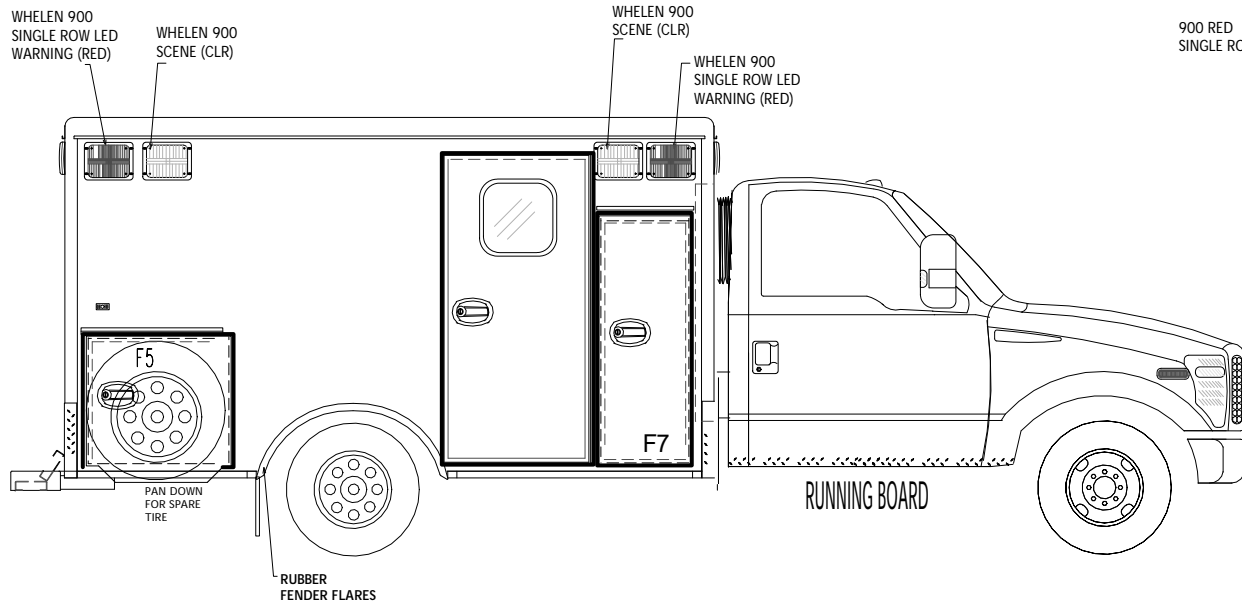
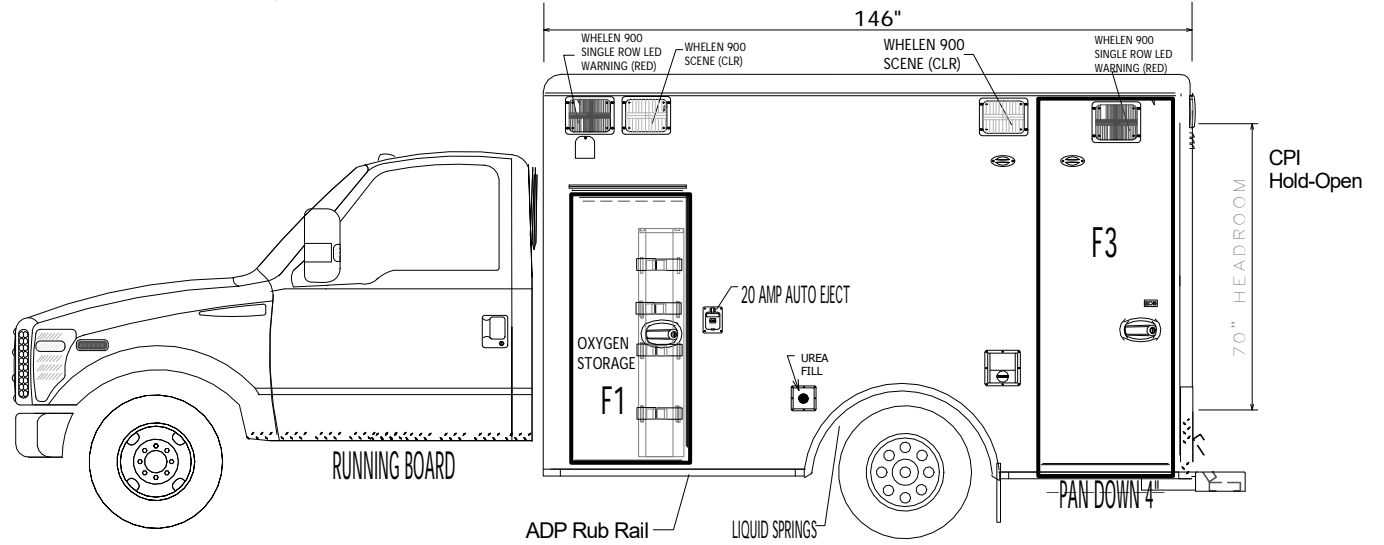
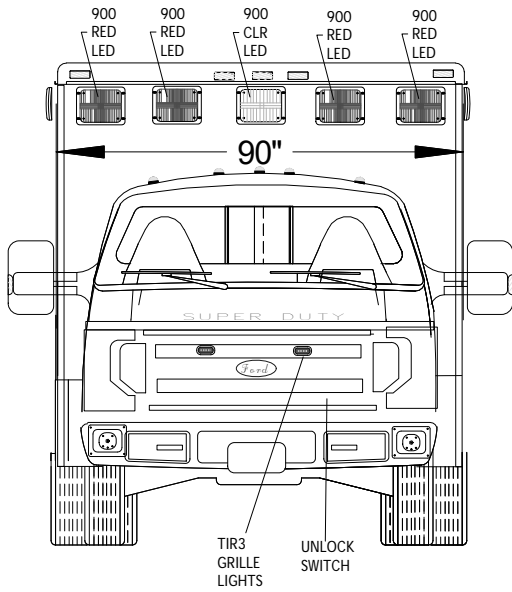



CONCEPTIONAL DRAWINGS ONLY: DRAWINGS ARE NOT TO SCALE, ALL MEASURES ARE APPROXIMATE & SUBJECT TO ENGINEERING CHANGE



Compartment Dimensions			
Comp	Height	Width	Depth
F1	61.625"	24.5"	17"
F3	78.8"	23"	7/17"
F5	29"	32"	13.5"
F7	65"	18.375"	18.5"
C/S Access	73.8"	31"	N/A
Rear Access	61-1/2"	46.75"	N/A

\*CONCEPTIONAL DRAWINGS  
 \* Some shown are optional  
 \* Due to ongoing improvements, drawings can change.

<b>TITLE: T1, 146 Exterior</b>		 <b>ACADIAN</b>
DWG.	REV.# 0	
TRUCK#22UF29268F		
BY:JLR	DATE:01/31/22	