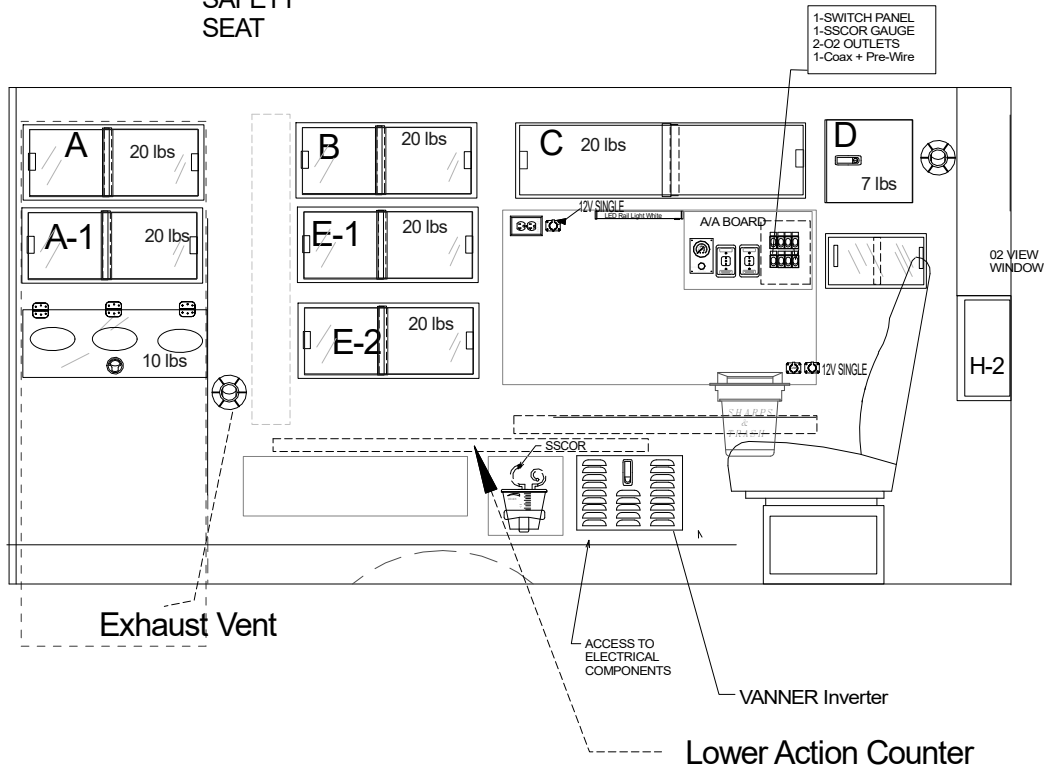
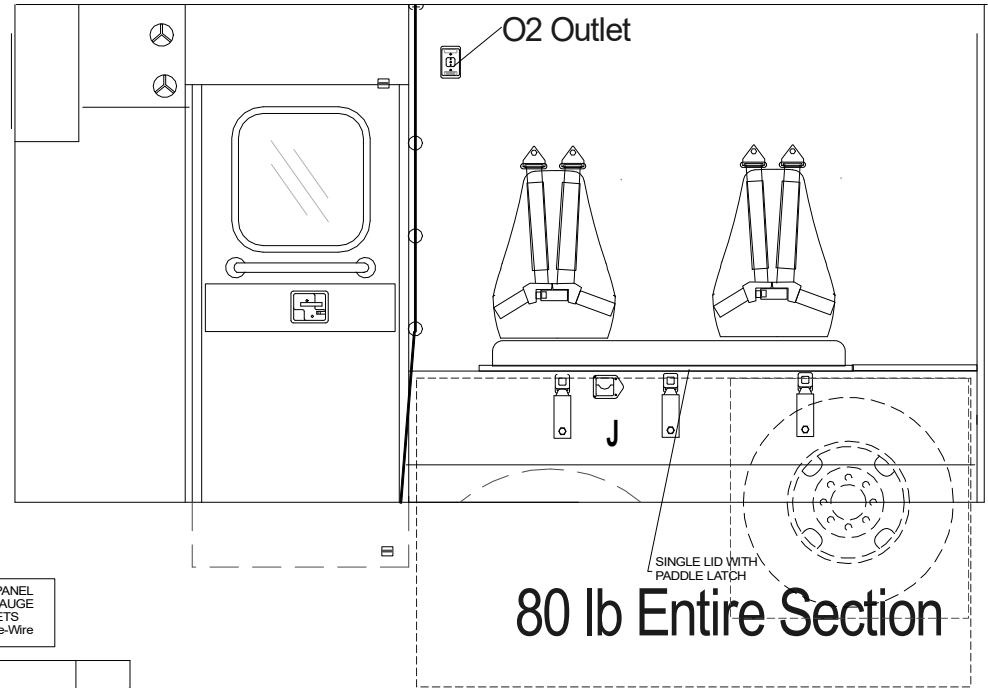
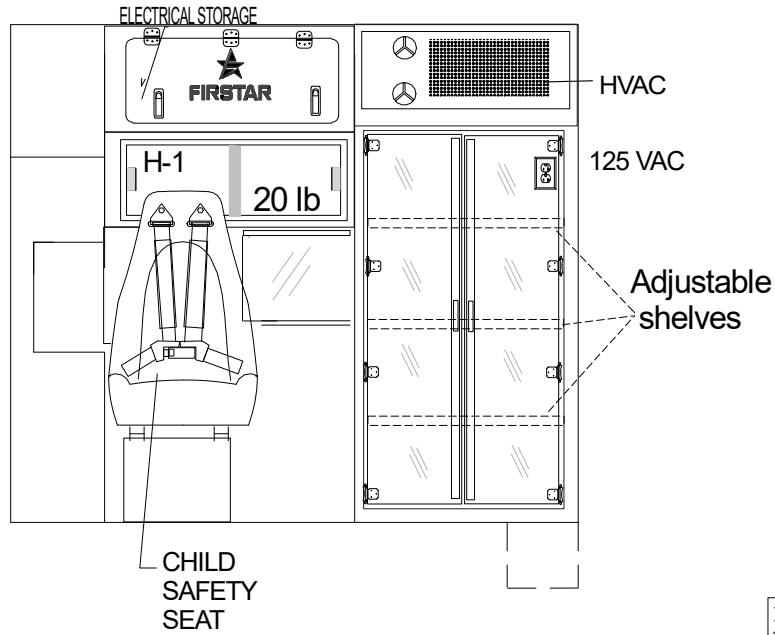


CONCEPTIONAL DRAWINGS ONLY: DRAWINGS ARE NOT TO SCALE, ALL MEASURES ARE APPROXIMATE & SUBJECT TO ENGINEERING CHANGE



TITLE	Type 1 146" Interior	
DWG.#	REV.#0	
Truck #22UF29268F		
BY:JLR	DATE: 02/24/22	

*CONCEPTIONAL DRAWINGS
 * Some shown are optional
 * Due to ongoing improvements, drawings can change.